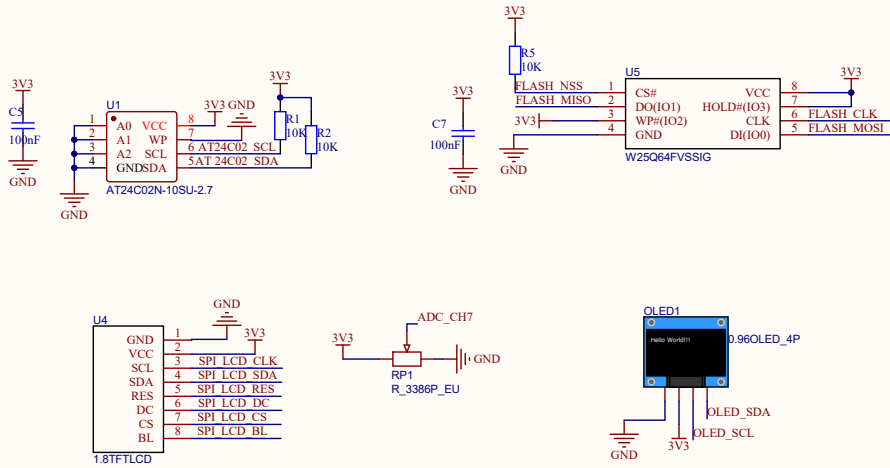
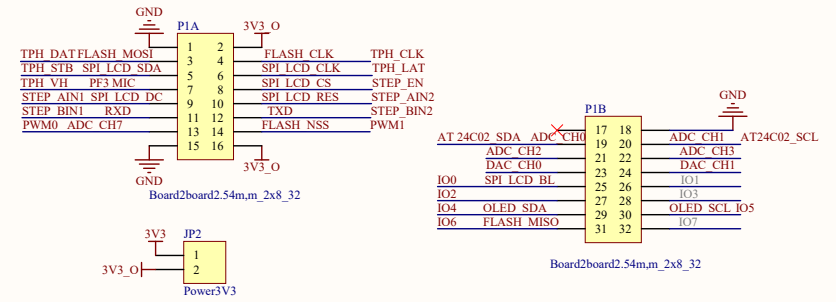


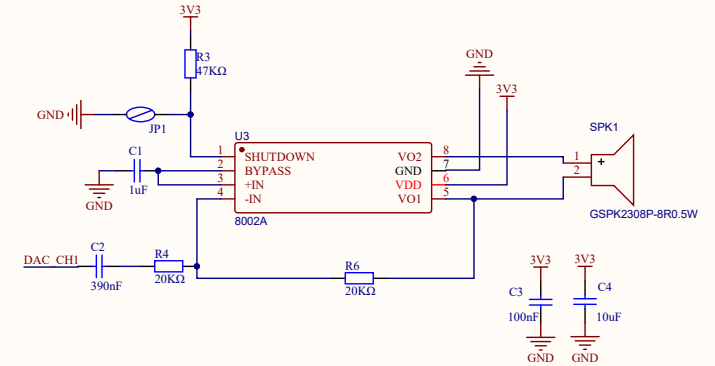
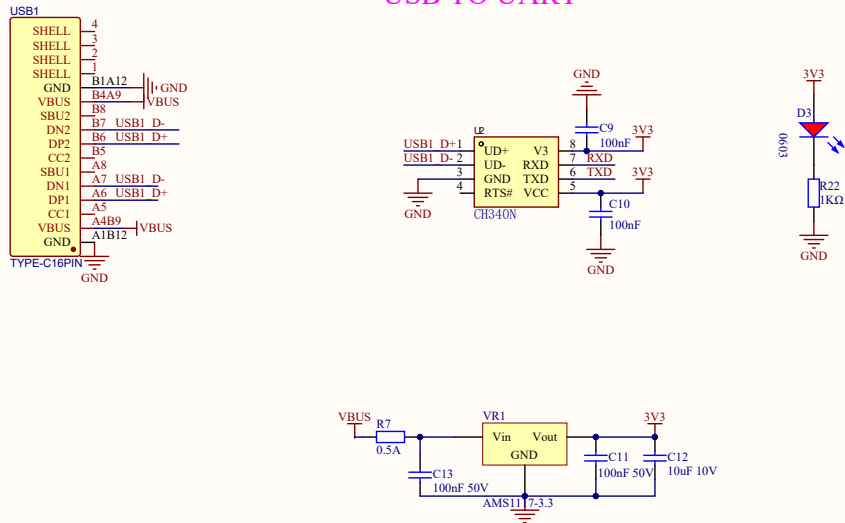
## Memory & Display



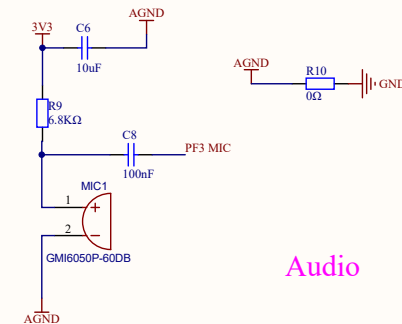
## Interface



## USB TO UART



## Audio



Title		
Size	Number	Revision
A3		
Date:	2024/12/4	Sheet of
File:	FA \ExpandBoard_GW3323 v1	Sheet of
		Drawn by: